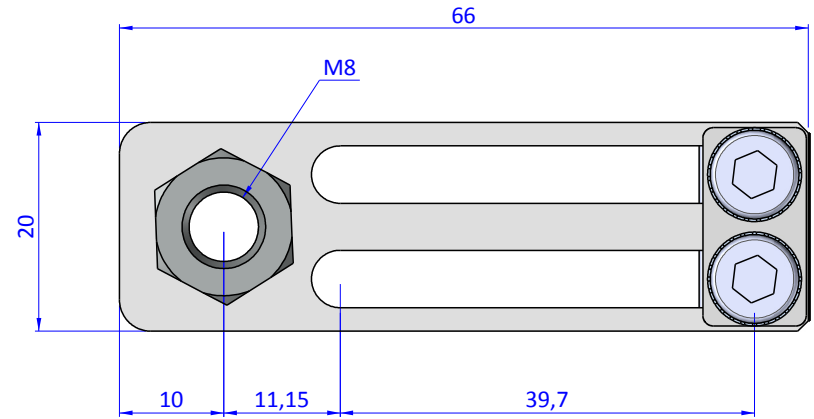
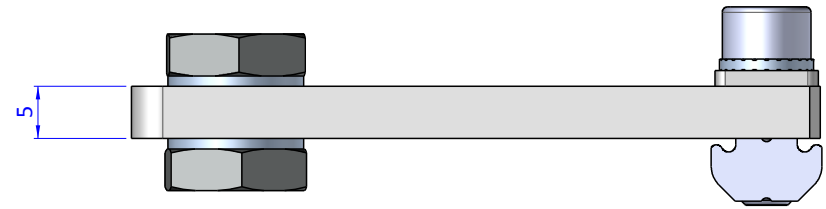
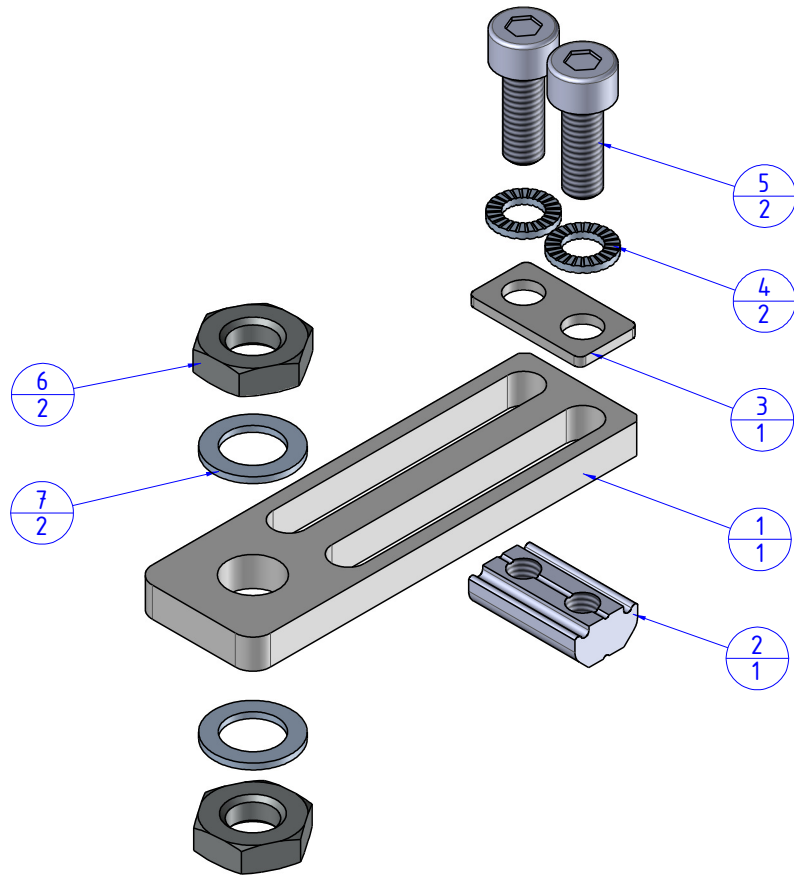



THE PROPERTY OF THE DRAWING IS ESTABLISHED BY LAW. IT IS FORBIDDEN TO PRODUCE OR SHOW IT TO THIRD PARTY, WITHOUT A WRITTEN AGREEMENT.

Object Number	Name	QTY
1	04.20.08	1
2	CA.GWP.5.10	1
3	R.05.10	1
4	R.5.SCH	2
5	VTCE5x14	2
6	D.8(UNI4035 M8x1,25)	2
7	R.8.SCH	2



Format A3

UNI 936-76

 FPS SERVICES AUTOMATION		DESIGNED FROM		REVIEW
		FPS Automation		A
GENERAL TOLERANCE		DATE	WEIGHT	
UNI - ISO 2768		31/05/2019	0,036kg	
CLASSE f		CODE		
		CA.04.20.08.X		CA.04.20.08.X